

MSE3 cpl. 1x200-240V, 1.68kW Grundfos pump 96160856



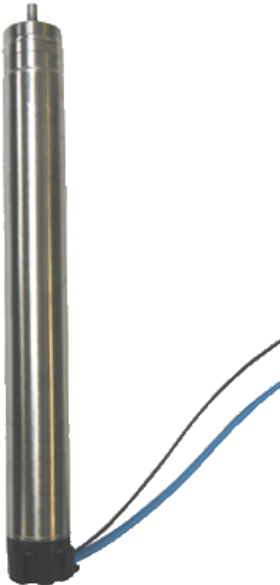
Thank you for your interest in our products. Please contact us for more information, or visit our website

<https://www.lenntech.com/grundfos/MS300/96160856/MSE-3.html>

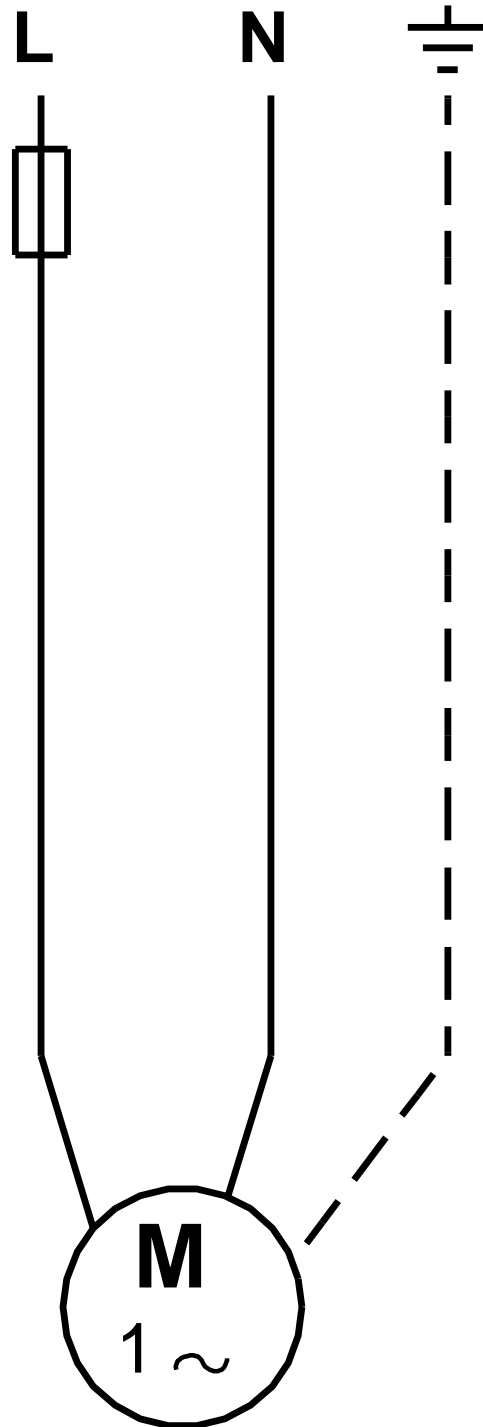
info@lenntech.com

tel. +31 152 610 900

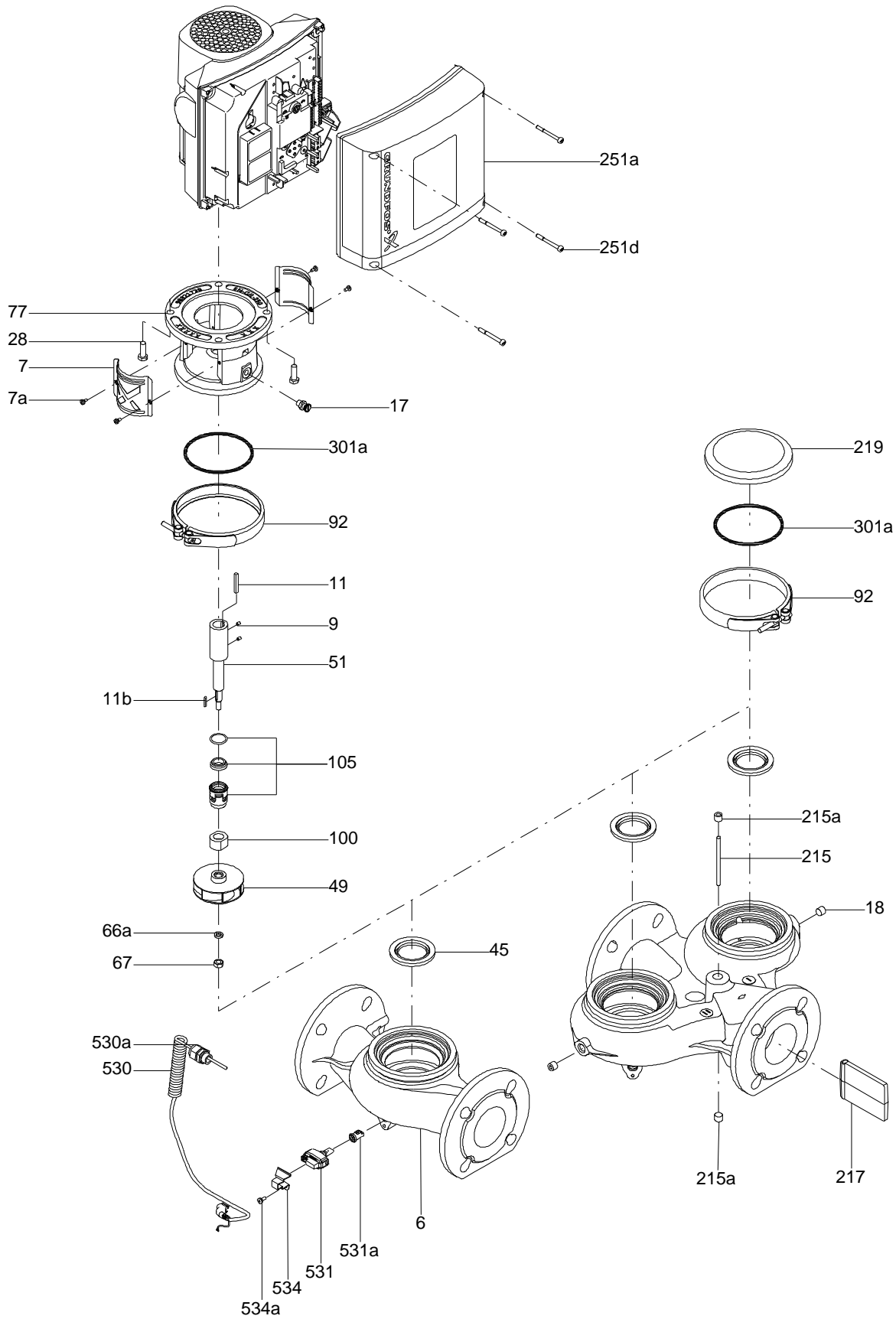
fax. +31 152 616 289

Position	Qty.	Description
	1	<p data-bbox="322 161 399 192">MSE 3</p>  <p data-bbox="710 869 1197 900" style="text-align: center;">Note! Product picture may differ from actual product</p> <p data-bbox="322 902 1404 1019"> Product No.: On request The motor is a single-phase motor of the permanent magnet rotor type ensuring optimum efficiency within a wide load range. The motor is fitted with a replaceable end cover with socket. </p> <p data-bbox="322 1048 750 1108"> Liquid: Max liquid t at 0.15 m/sec: 35 °C </p> <p data-bbox="322 1137 813 1198"> Technical: Approvals on motor nameplate: CE,UL,CUL </p> <p data-bbox="322 1227 885 1344"> Materials: Motor: Stainless steel DIN W.-Nr. 1.4301 AISI 304 </p> <p data-bbox="322 1373 758 1433"> Installation: Maximum ambient pressure: 15 bar </p> <p data-bbox="322 1462 853 1848"> Electrical data: Motor type: MSE3 Power input - P1: 2.32 kW Rated power - P2: 1.55 kW Mains frequency: 50 Hz Rated voltage: 1 x 200-240 V Rated current: 11.2 A Power factor: 1.00 Rated speed: 10700 rpm Moment of inertia: 2330000 kg m² Start. method: direct-on-line Enclosure class (IEC 34-5): IP68 Insulation class (IEC 85): F </p> <p data-bbox="322 1877 758 1937"> Others: Net weight: 4.6 kg </p>

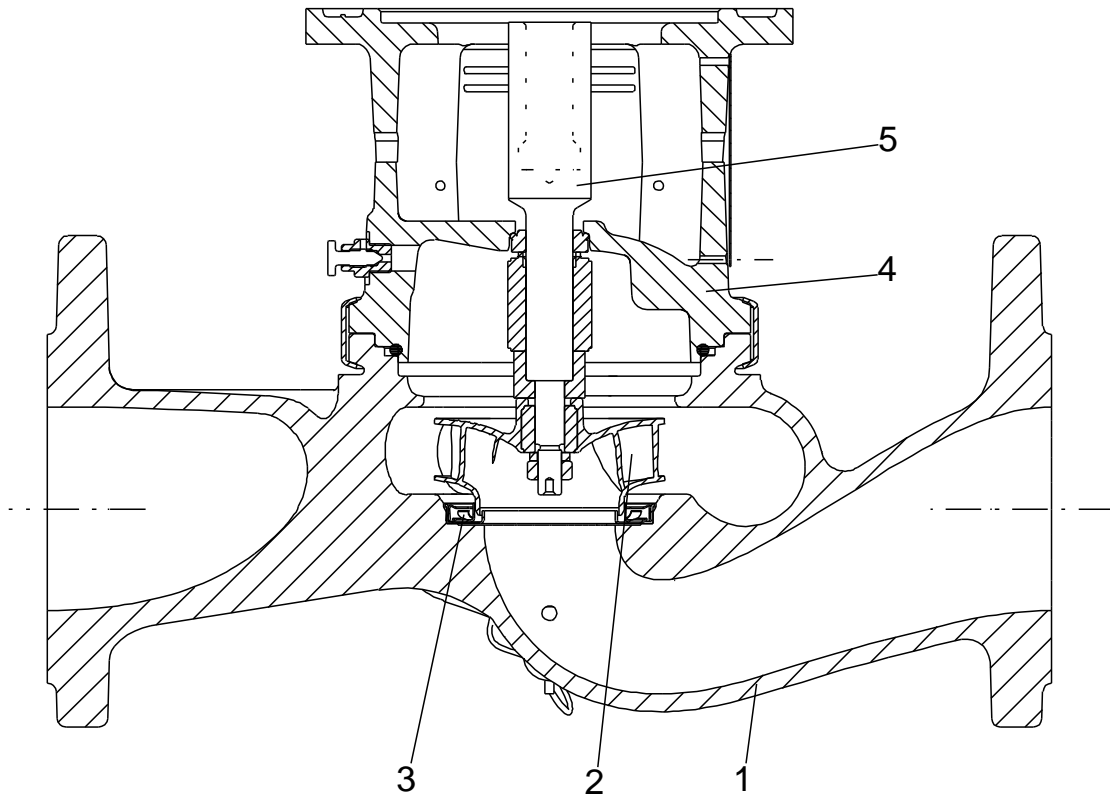
Description	Value
General information:	
Product name:	MSE 3
Product No:	On request
EAN number:	On request
Technical:	
Approvals on motor nameplate:	CE,UL,CUL
Model:	E
Materials:	
Motor:	Stainless steel
	DIN W.-Nr. 1.4301
	AISI 304
Installation:	
Maximum ambient pressure:	15 bar
Liquid:	
Max liquid t at 0.15 m/sec:	35 °C
Electrical data:	
Motor type:	MSE3
Power input - P1:	2.32 kW
Rated power - P2:	1.55 kW
Mains frequency:	50 Hz
Rated voltage:	1 x 200-240 V
Rated current:	11.2 A
Power factor:	1.00
Rated speed:	10700 rpm
Moment of inertia:	2330000 kg m ²
Axial load max:	100 kg
Start. method:	direct-on-line
Enclosure class (IEC 34-5):	IP68
Insulation class (IEC 85):	F
Motor protec:	Y
Thermal protec:	internal
Controls:	
CU 300/CU 301:	communication with CU 300/CU 301 possible
Others:	
Net weight:	4.6 kg



Exploded view

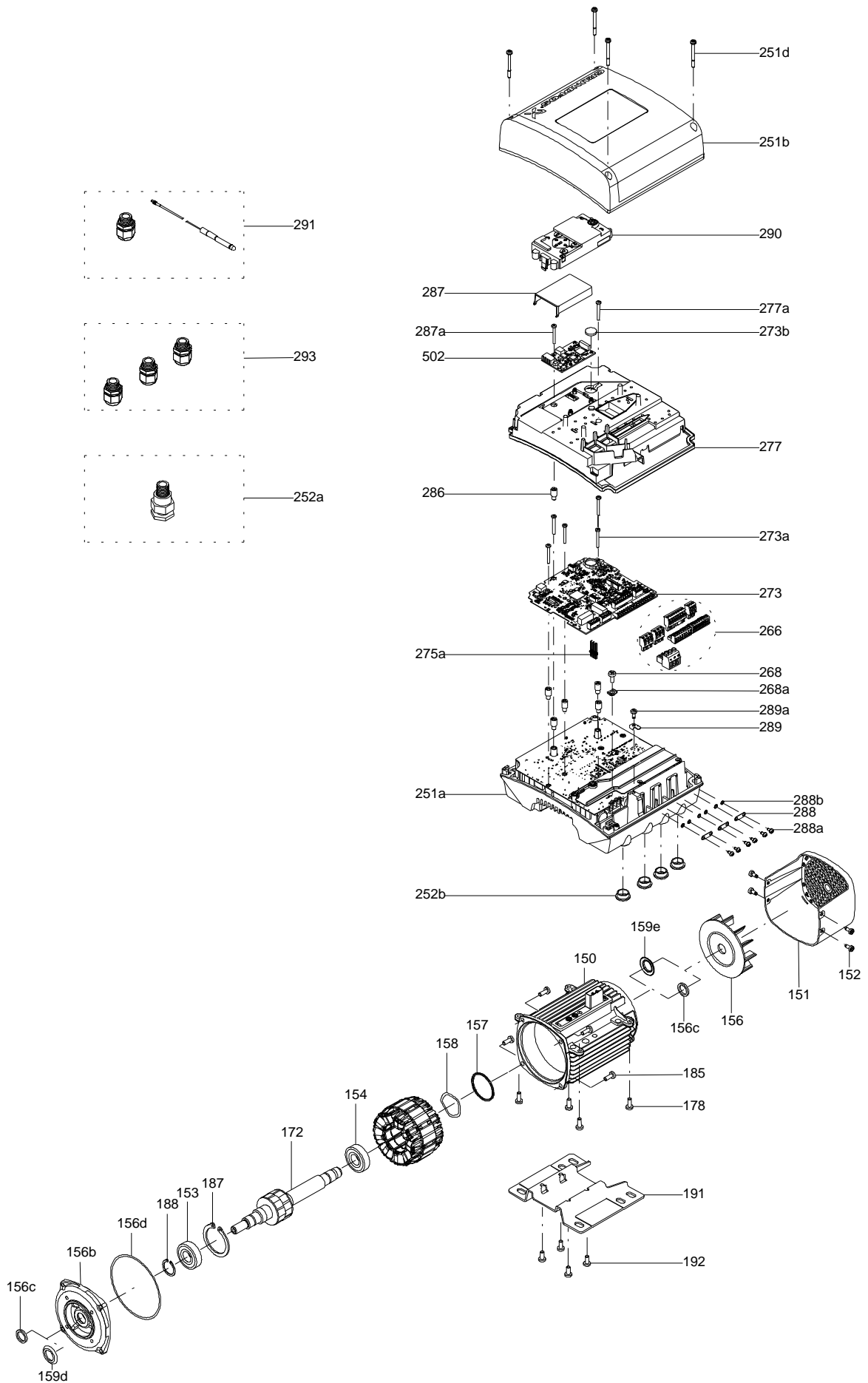


Sectional drawing (TM058200 for TPE2,TPE3)



TM058200

Exploded view (TM057026 for MGE model H/I)



Parts list MSE 3, Product No. On request
Valid from 3.12.2012 (1249)

Pos	Description	Annotation	Données de classification	Référence	Quantité	Unité
	Motor liquid				0	L
220	Power cable				1	pcs
- 250	Screw				4	pcs
18a	Pan head tapping screw				2	
250	Pan head screw				4	
- 250	Screw				1	pcs
18a	Pan head tapping screw				2	
250	Pan head screw				4	

Disclaimer: The information about the Grundfos pump in this document may be outdated.

Data may be subject to alterations without further notice.

Please contact us to verify the data above is still accurate/up-to-date.

All information is copyright Grundfos.



info@lenntech.com

<https://www.lenntech.com>

tel. +31 152 610 900

fax. +31 152 616 289