

IO 102 breaker box Grundfos pump 96475065




Thank you for your interest in our products. Please contact us for more information, or visit our website

<https://www.lenntech.com/grundfos/IO100/96475065/IO-102.html>

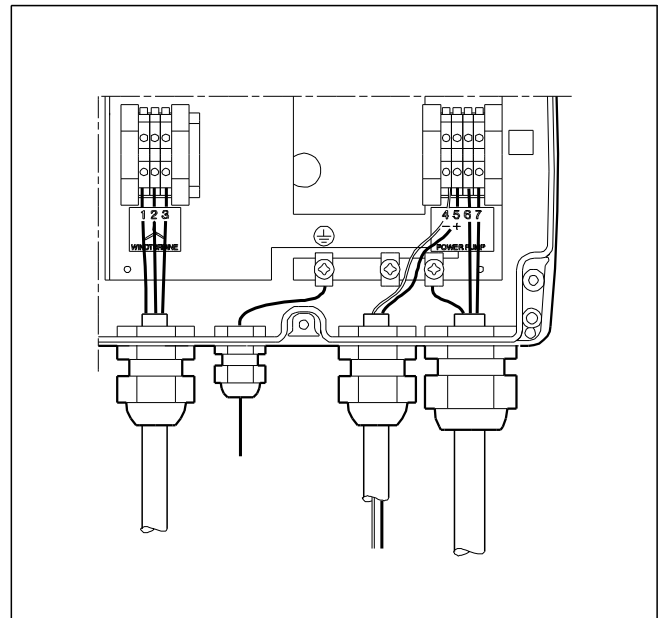
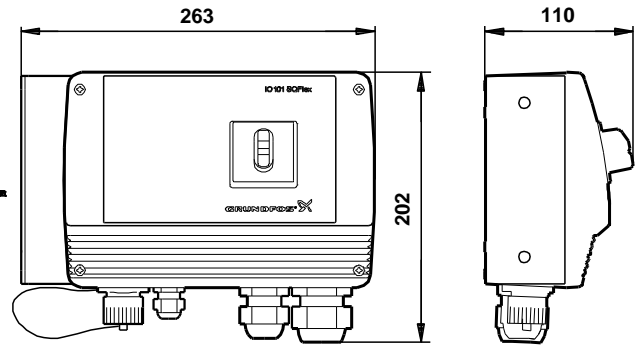
info@lenntech.com

tel. +31 152 610 900

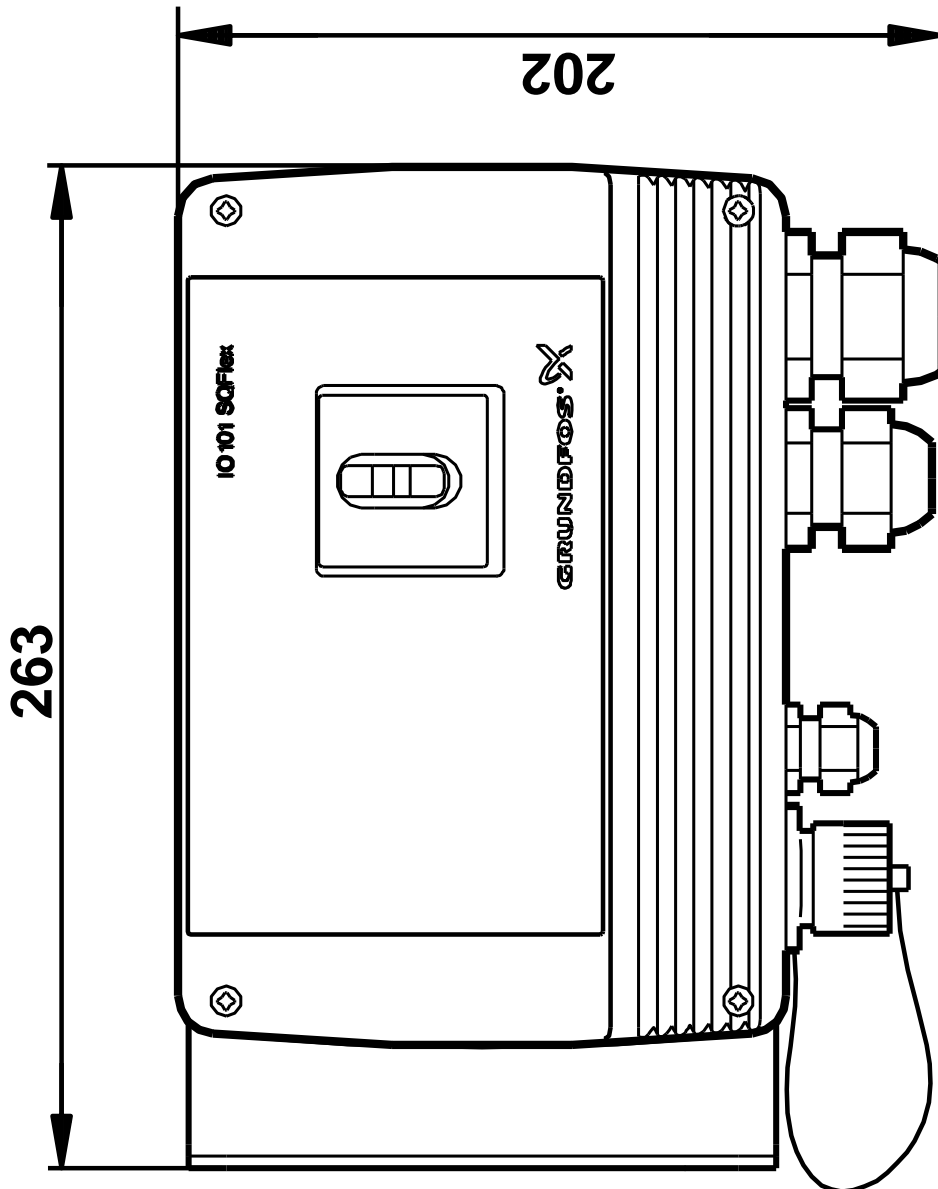
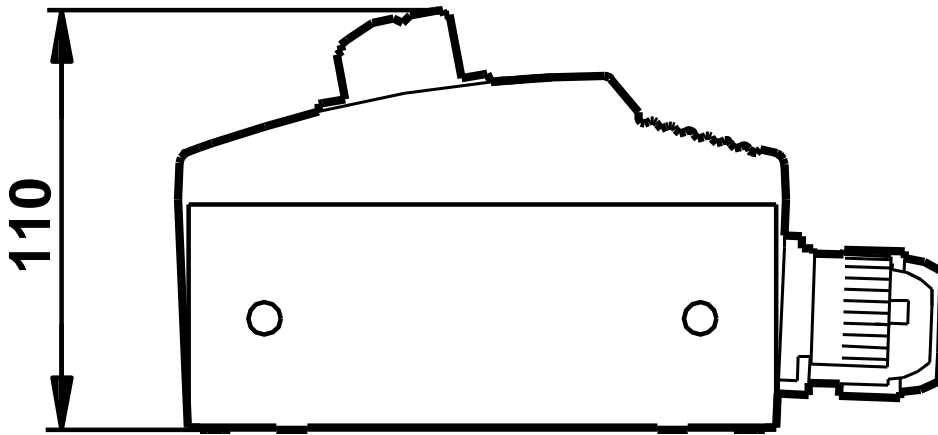
fax. +31 152 616 289

Position	Qty.	Description						
	1	<p data-bbox="320 163 400 197">IO 102</p> <div data-bbox="368 302 647 510" style="text-align: center;">  </div> <p data-bbox="711 595 1193 618" style="text-align: center;">Note! Product picture may differ from actual product</p> <p data-bbox="320 629 600 651">Product No.: On request</p> <p data-bbox="320 685 935 1099"> The IO 102 breaker box is designed specifically for wind powered SQFlex systems. The IO 102 enables manual starting and stopping of the pump in an SQFlex Wind system and an SQFlex Combi system. The on/off switch has a built-in electrical brake for the turbine. When the switch is in the "off" position, the turbine stops or slows down. The IO 102 rectifies the three-phase AC voltage from the wind turbine into DC voltage. Furthermore, the IO 102 enables the combination of wind energy from the wind turbine and solar energy from the solar panel. At the same time, the IO 102 also functions as a connection box joining all necessary cables. </p> <p data-bbox="320 1133 459 1155">Installation:</p> <p data-bbox="320 1167 810 1189">Range of ambient temperature: -30 .. 50 °C</p> <p data-bbox="320 1223 496 1245">Electrical data:</p> <table data-bbox="320 1256 967 1335"> <tr> <td>Mains frequency:</td> <td>50 Hz</td> </tr> <tr> <td>Rated voltage:</td> <td>1 x 240 VAC - 15%/+10%</td> </tr> <tr> <td>Enclosure class (IEC 34-5):</td> <td>IP55</td> </tr> </table>	Mains frequency:	50 Hz	Rated voltage:	1 x 240 VAC - 15%/+10%	Enclosure class (IEC 34-5):	IP55
Mains frequency:	50 Hz							
Rated voltage:	1 x 240 VAC - 15%/+10%							
Enclosure class (IEC 34-5):	IP55							

Description	Value
General information:	
Product name:	IO 102
Product No:	On request
EAN number:	On request
Installation:	
Range of ambient temperature:	-30 .. 50 °C
Electrical data:	
Mains frequency:	50 Hz
Rated voltage:	1 x 240 VAC - 15%/+10%
Enclosure class (IEC 34-5):	IP55
Maximum load:	30-300 VDC, 8,4A

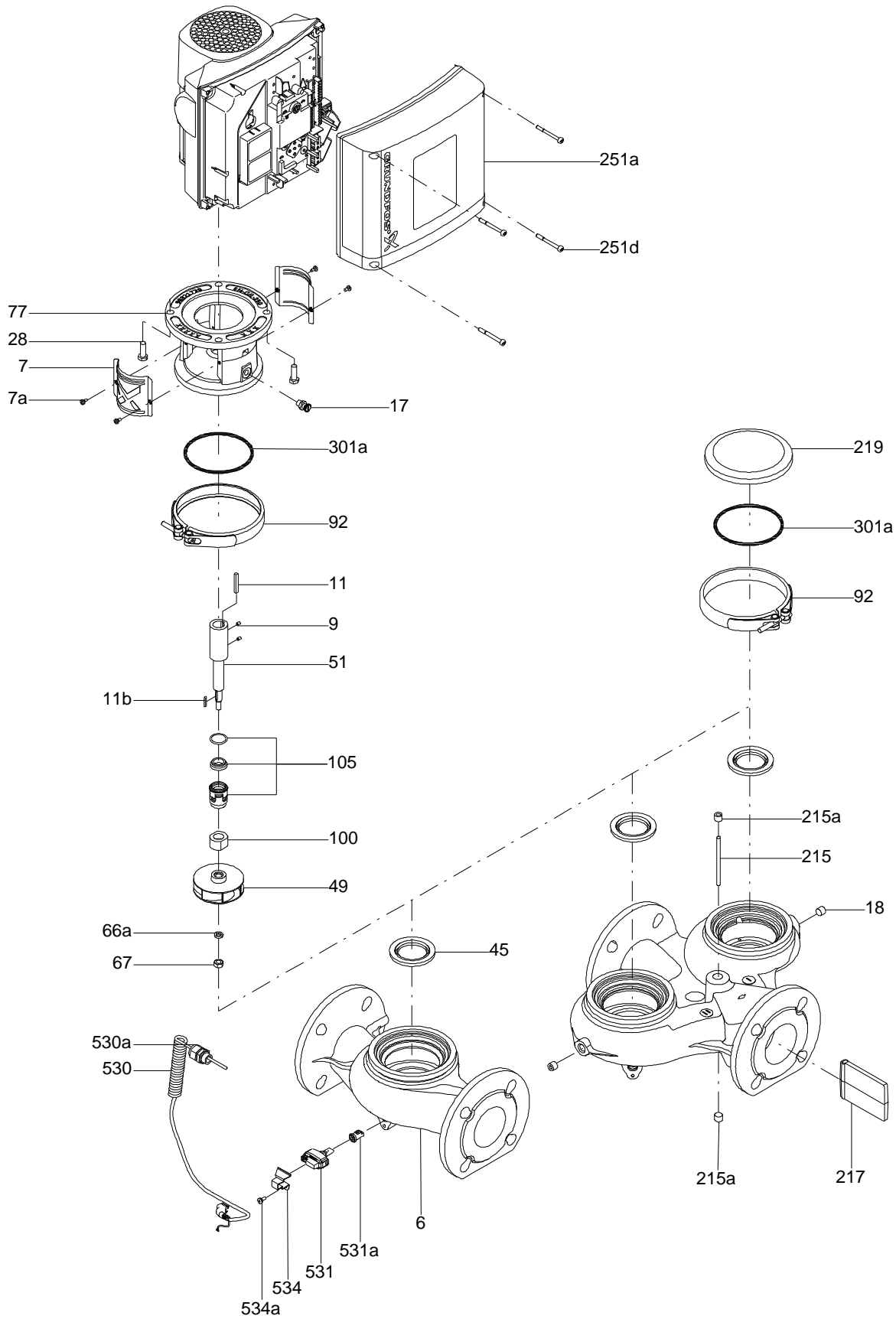


On request IO 102 50 Hz

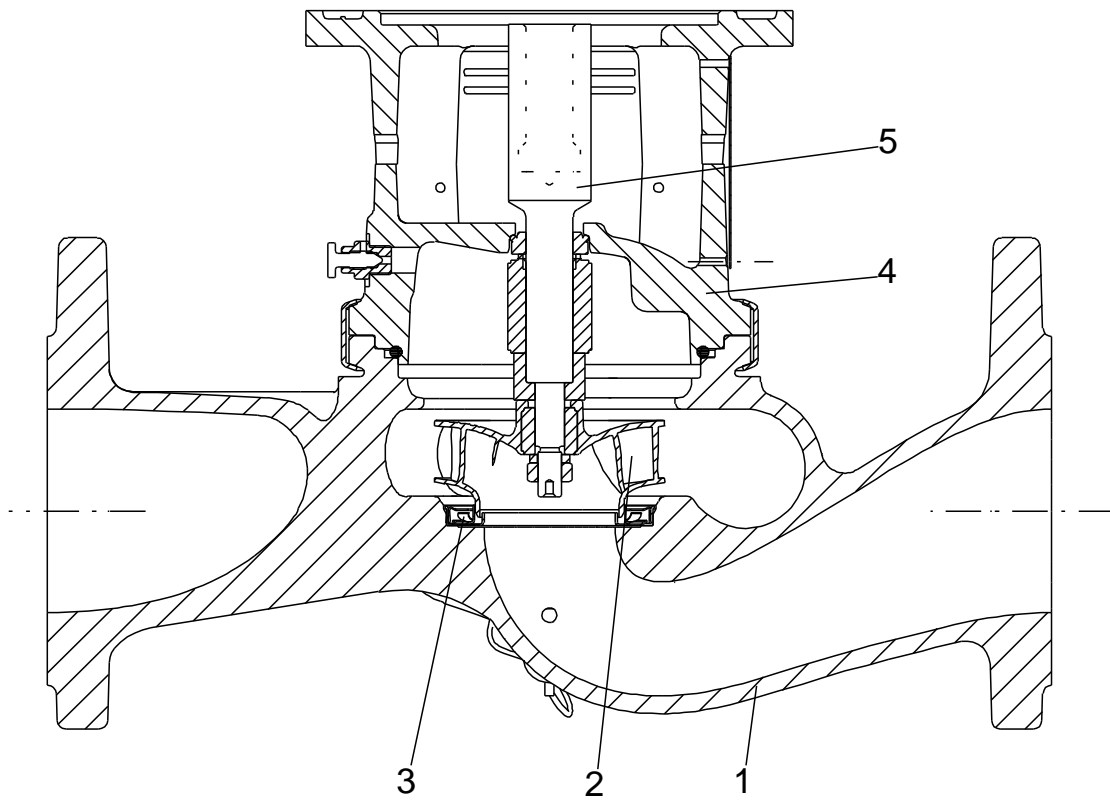


Note! All units are in [mm] unless others are stated.
Disclaimer: This simplified dimensional drawing does not show all details.

Exploded view

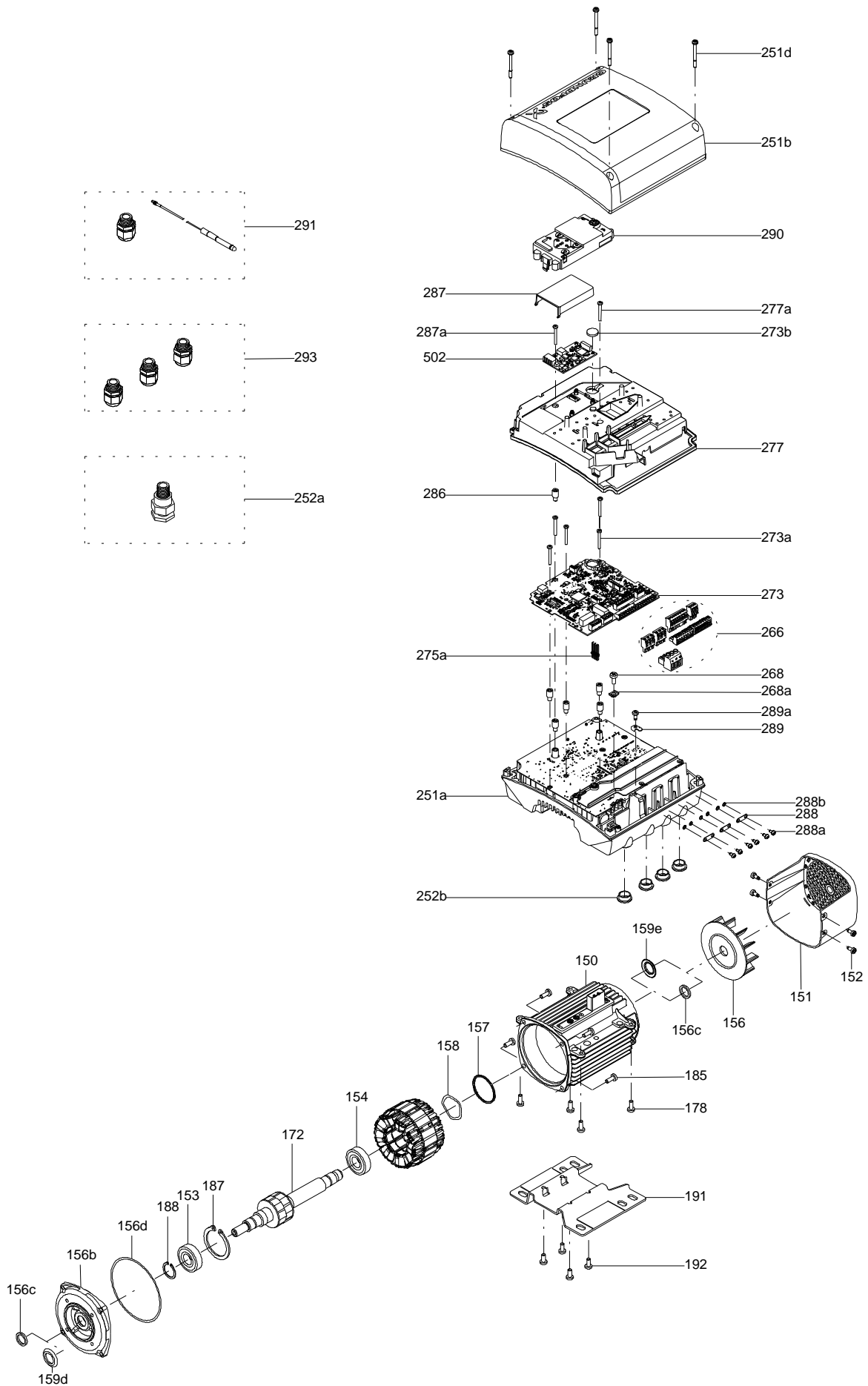


Sectional drawing (TM058200 for TPE2,TPE3)



TM058200

Exploded view (TM057026 for MGE model H/I)



Disclaimer: The information about the Grundfos pump in this document may be outdated.

Data may be subject to alterations without further notice.

Please contact us to verify the data above is still accurate/up-to-date.

All information is copyright Grundfos.



info@lenntech.com

<https://www.lenntech.com>

tel. +31 152 610 900

fax. +31 152 616 289