

## CMB-SP SET 3-47 I-C-A-C-B-A

Grundfos pump 98507588




Thank you for your interest in our products. Please contact us for more information, or visit our website

<https://www.lenntech.com/grundfos/CMBSP/98507588/CMB-SP-SET-3-47-I-C-A-C-B-A.html>

[info@lenntech.com](mailto:info@lenntech.com)

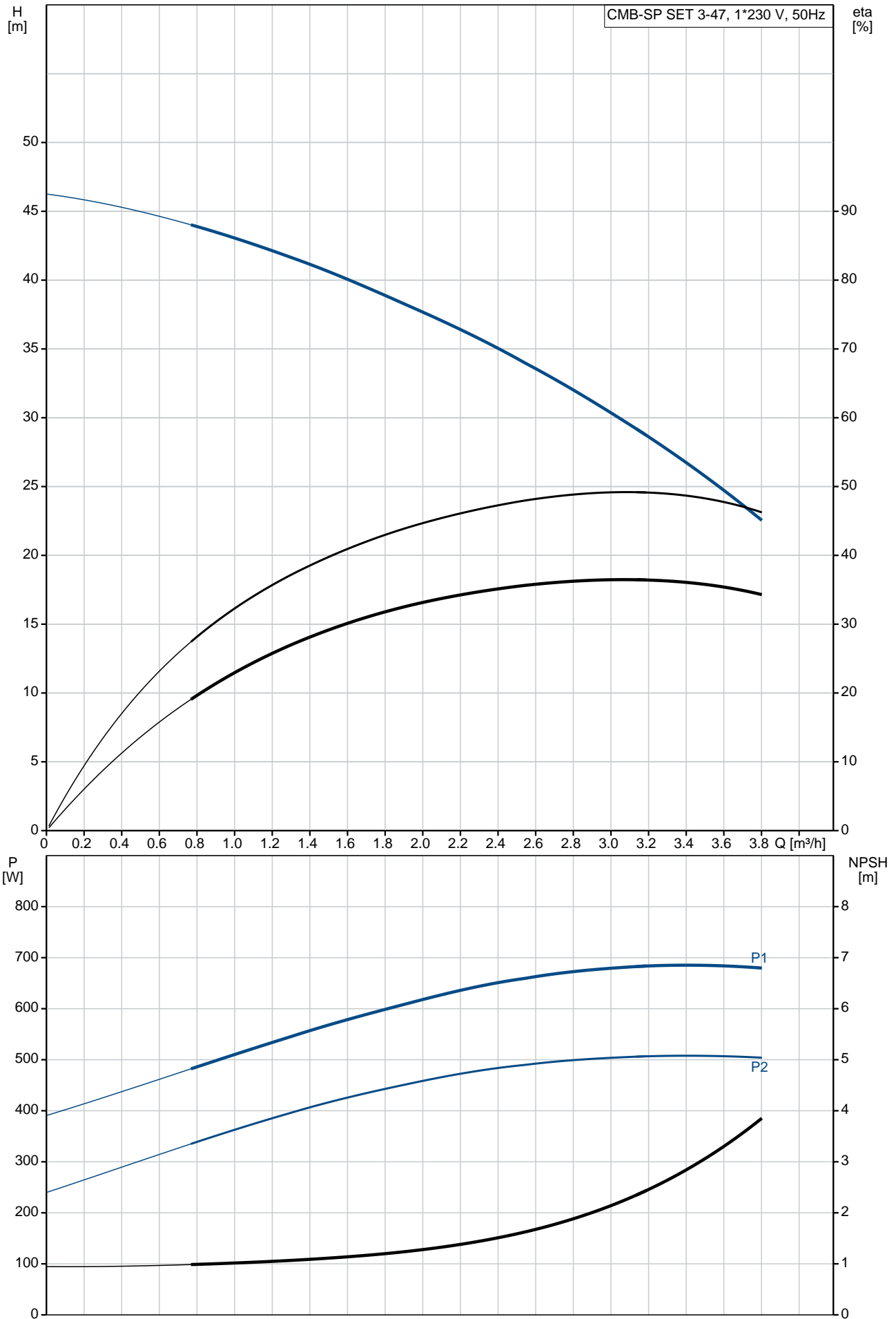
tel. +31 152 610 900

fax. +31 152 616 289

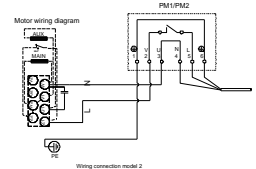
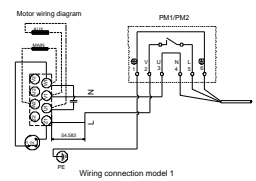
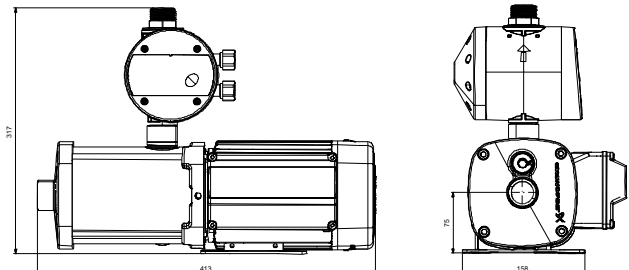
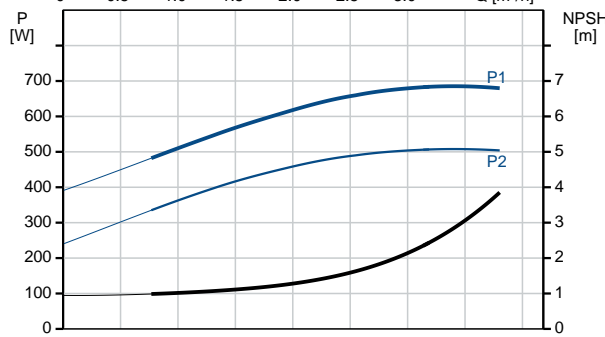
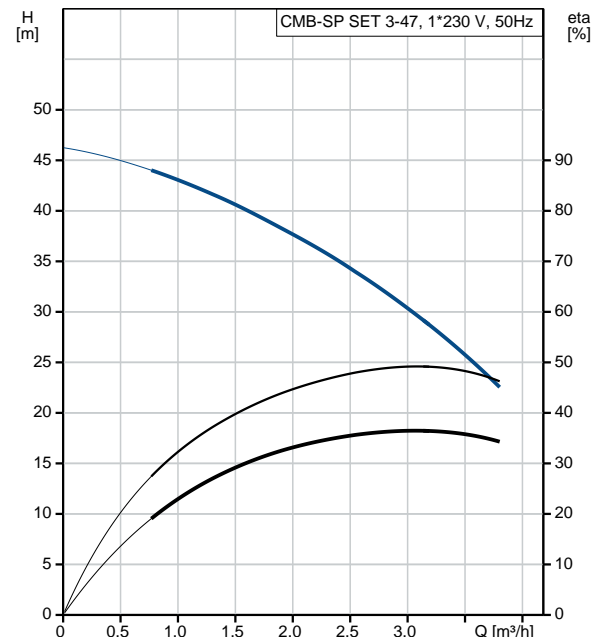
Position	Qty.	Description
	1	<p data-bbox="320 163 675 194"><b>CMB-SP SET 3-47 I-C-A-C-B-A</b></p>  <p data-bbox="320 483 600 515">Product No.: On request</p> <p data-bbox="320 544 1278 752">The Grundfos CM Booster self-priming pump with PM2 pressure manager is a compact booster solution for water supply in domestic applications. The pressure booster unit consists of a Grundfos CM self-priming pump and a Grundfos PM2 pressure manager. The pressure manager allows the pump to start and stop automatically according to demand and protects the pump from dry running.</p> <p data-bbox="320 752 1158 871">The CM Booster self-priming pump can create a suction lift of up to 8 m, and it is very easy to install. When the booster has been connected to the pipework, just plug it into a socket, and the system is operational.</p> <p data-bbox="320 931 421 958"><b>Features</b></p> <ul data-bbox="320 960 740 1167" style="list-style-type: none"> <li>• compact</li> <li>• easy installation</li> <li>• self-priming up to 8 m</li> <li>• automatic resetting of alarms</li> <li>• dry-running protection</li> <li>• anti-cycling (leakage detection)</li> <li>• maximum continuous operating time.</li> </ul> <p data-bbox="320 1229 456 1256"><b>Applications</b></p> <p data-bbox="320 1258 1297 1317">The Grundfos CM Booster self-priming pump with PM2 pressure manager is mainly used for domestic and light commercial water supply or booster systems.</p> <p data-bbox="320 1406 405 1433"><b>Liquid:</b></p> <p data-bbox="320 1435 817 1554">Pumped liquid: Water  Liquid temperature range: 0 .. 60 °C  Liquid temperature during operation: 20 °C  Density: 998.2 kg/m³</p> <p data-bbox="320 1585 443 1612"><b>Technical:</b></p> <p data-bbox="320 1615 882 1821">Rated flow: 3 m³/h  Rated head: 34.9 m  Primary shaft seal: AVBE  Approvals and markings: CE,EAC  Curve tolerance: ISO9906:2012 3B  Self-priming: 8 m  Start pressure: PM1 - 2.2 bar</p> <p data-bbox="320 1852 437 1879"><b>Materials:</b></p> <p data-bbox="320 1881 887 2087">Pump housing: Stainless steel  DIN W.-Nr. 1.4301  AISI 304  Impeller: Stainless steel  DIN W.-Nr. 1.4301  AISI 304  Rubber: EPDM</p>

Position	Qty.	Description
		<p><b>Installation:</b>  Maximum ambient temperature: 55 °C  Flange standard: WHITWORTH THREAD RP</p> <p><b>Electrical data:</b>  Rated power - P2: 0.5 kW  Mains frequency: 50 Hz  Rated voltage: 1 x 220-240 V  Maximum current consumption: 3.1-2.8 A  Rated speed: 2730-2740 rpm  Enclosure class (IEC 34-5): IP55  Insulation class (IEC 85): F  Type of cable plug: SCHUKO  Mains cable: 1.5 m</p> <p><b>Others:</b>  Net weight: 16.2 kg  Gross weight: 21.6 kg</p>

# On request CMB-SP SET 3-47 I-C-A-C-B-A 50 Hz

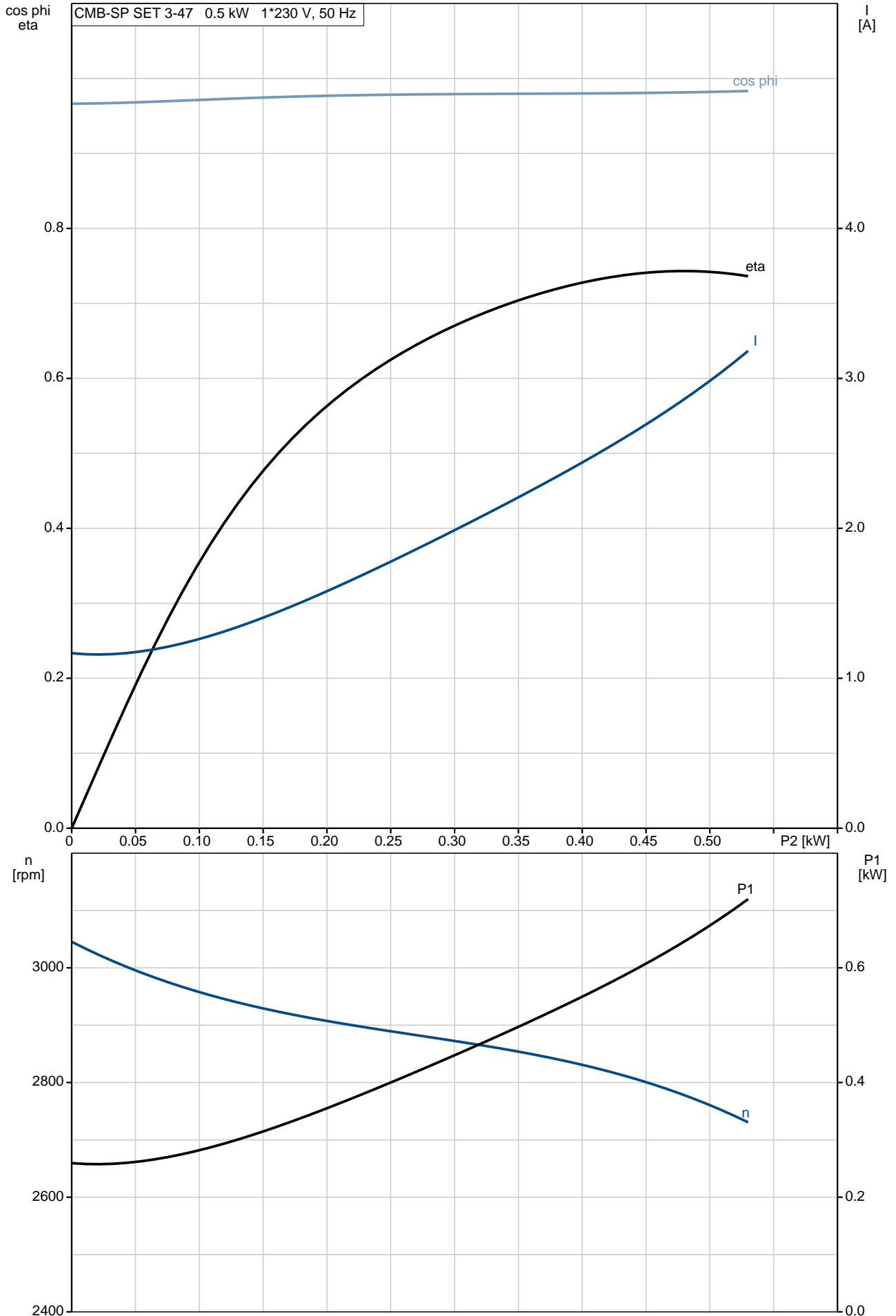


Description	Value
<b>General information:</b>	
Product name:	CMB-SP SET 3-47 I-C-A-C-B-A
Product No:	On request
EAN number:	On request
<b>Technical:</b>	
Rated flow:	3 m <sup>3</sup> /h
Rated head:	34.9 m
Impellers:	5
Primary shaft seal:	AVBE
Approvals and markings:	CE, EAC
Curve tolerance:	ISO9906:2012 3B
Model:	A
Self-priming:	8 m
Start pressure:	PM1 - 2.2 bar
<b>Materials:</b>	
Pump housing:	Stainless steel DIN W.-Nr. 1.4301 AISI 304
Impeller:	Stainless steel DIN W.-Nr. 1.4301 AISI 304
Rubber:	EPDM
<b>Installation:</b>	
Maximum ambient temperature:	55 °C
Flange standard:	WHITWORTH THREAD RP
<b>Liquid:</b>	
Pumped liquid:	Water
Liquid temperature range:	0 .. 60 °C
Liquid temperature during operation:	20 °C
Density:	998.2 kg/m <sup>3</sup>
<b>Electrical data:</b>	
Rated power - P2:	0.5 kW
Mains frequency:	50 Hz
Rated voltage:	1 x 220-240 V
Maximum current consumption:	3.1-2.8 A
p max system:	10 bar
Rated speed:	2730-2740 rpm
Enclosure class (IEC 34-5):	IP55
Insulation class (IEC 85):	F
Motor protec:	TP 211
Type of cable plug:	SCHUKO
Mains cable:	1.5 m
<b>Others:</b>	
Net weight:	16.2 kg
Gross weight:	21.6 kg

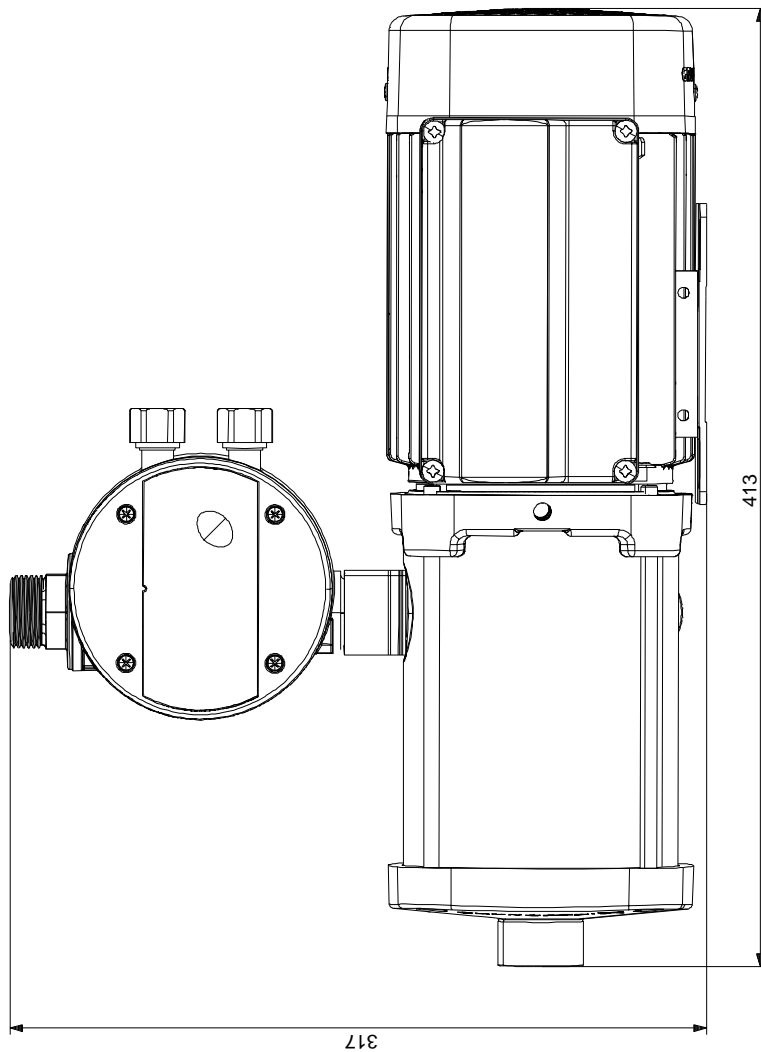
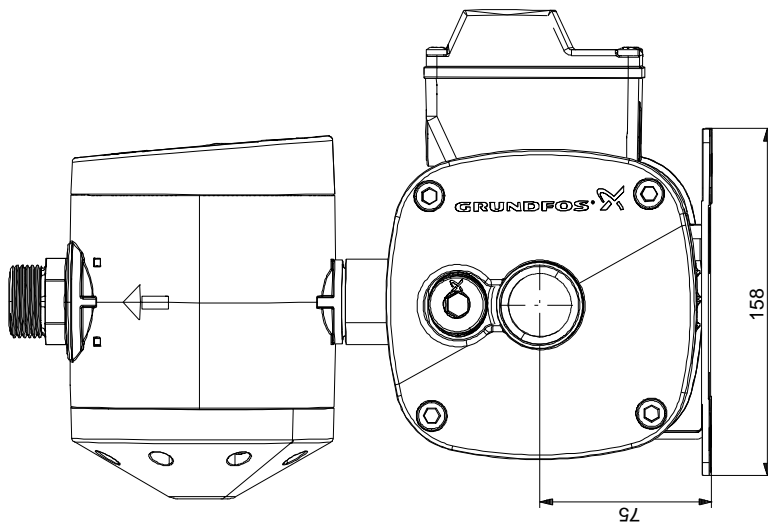


- Australian plug: IEC type I, AS/NZS3112, 1.5 m
- Schuko plug: IEC Type E&F, CEE7/7, 1.5 m
- US plug: IEC type B, NEMA 5-15P, 1.5 m
- NO PLUG, 1.5 m

# On request CMB-SP SET 3-47 I-C-A-C-B-A 50 Hz

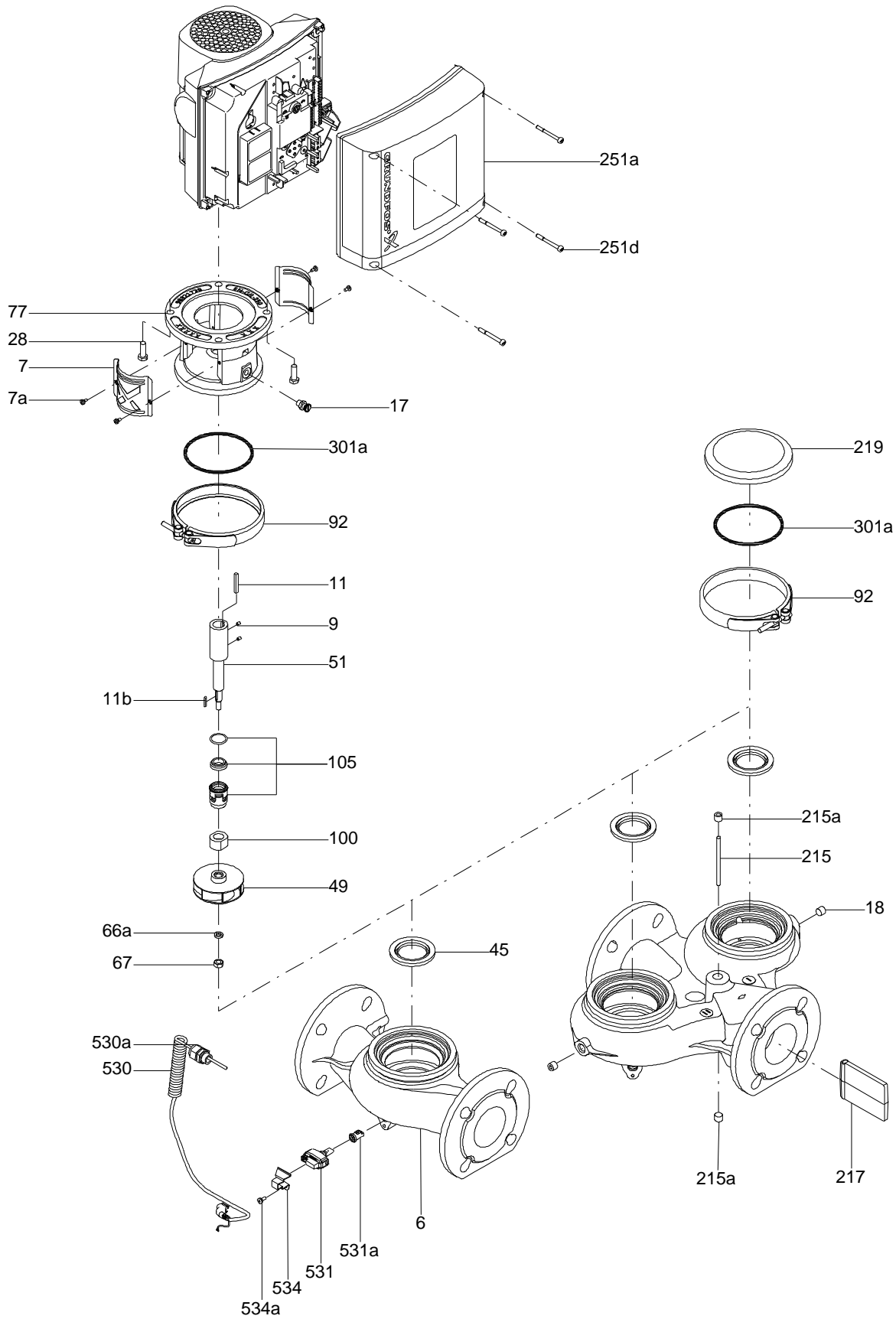


**On request CMB-SP SET 3-47 I-C-A-C-B-A 50 Hz**



Note! All units are in [mm] unless others are stated.  
Disclaimer: This simplified dimensional drawing does not show all details.

Exploded view



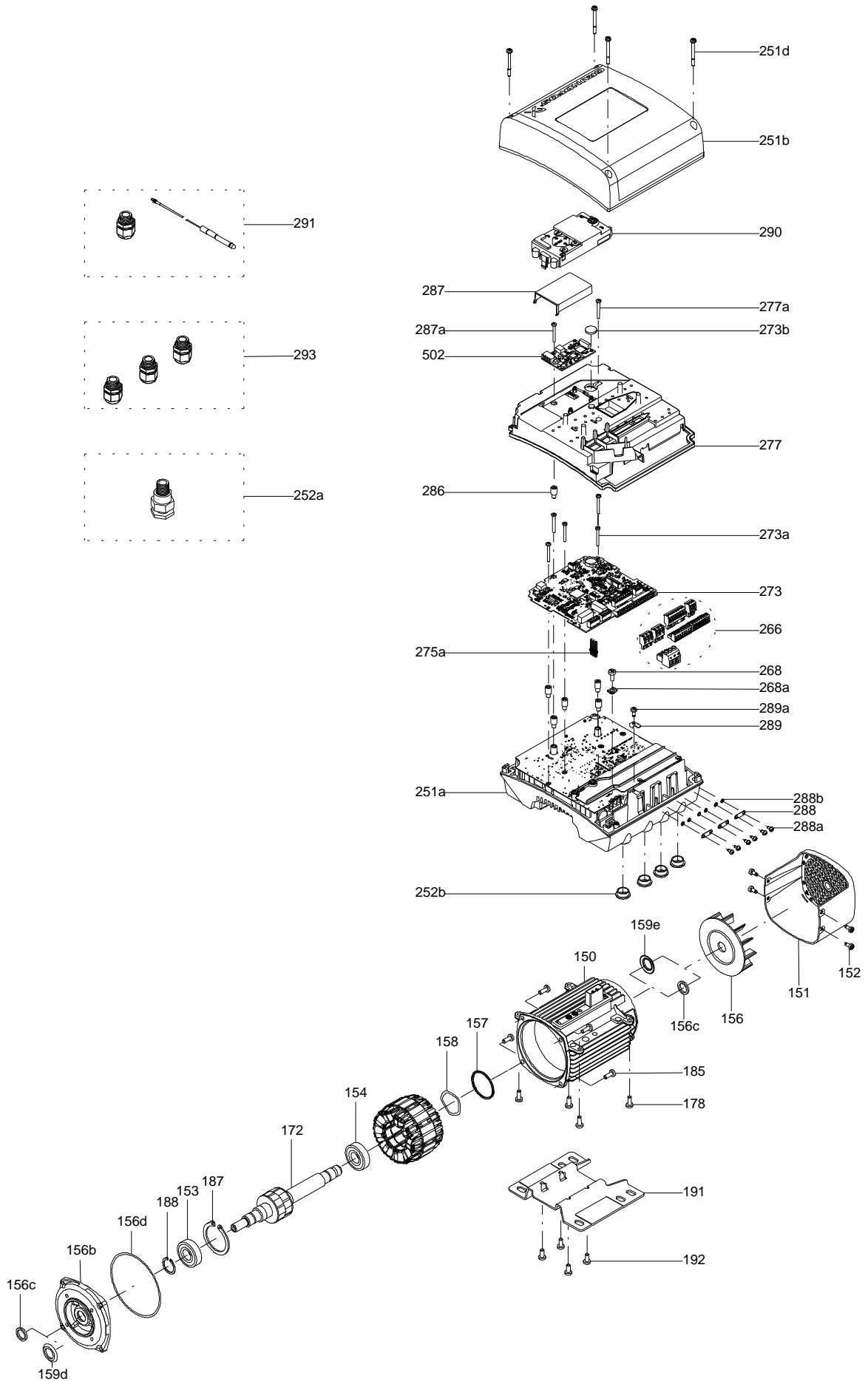


Sectional drawing (TM058200 for TPE2,TPE3)



TM058200

Exploded view ( TM057026 for MGE model H/I )



**Parts list CMB-SP SET 3-47, Product No. On request**  
**Valid from 3.11.2010 (1044)**

Pos	Description	Annotation	Données de classification	Référence	Quantité	Unité
	Pump				1	pcs
	Cable tie				1	pcs
37b	O-ring				1	pcs
72	Nameplate				1	pcs
168	Cable gland				1	pcs
181	Cable w/plug				1	pcs
181a	Motor cable				1	pcs

*Disclaimer: The information about the Grundfos pump in this document may be outdated.*

*Data may be subject to alterations without further notice.*

*Please contact us to verify the data above is still accurate/up-to-date.*

All information is copyright Grundfos.



[info@lenntech.com](mailto:info@lenntech.com)

<https://www.lenntech.com>

tel. +31 152 610 900

fax. +31 152 616 289