

CMB-SP SET 3-56 I-C-A-C-B-A Grundfos pump 98507589




Thank you for your interest in our products. Please contact us for more information, or visit our website

<https://www.lenntech.com/grundfos/CMBSP/98507589/CMB-SP-SET-3-56-I-C-A-C-B-A.html>

info@lenntech.com

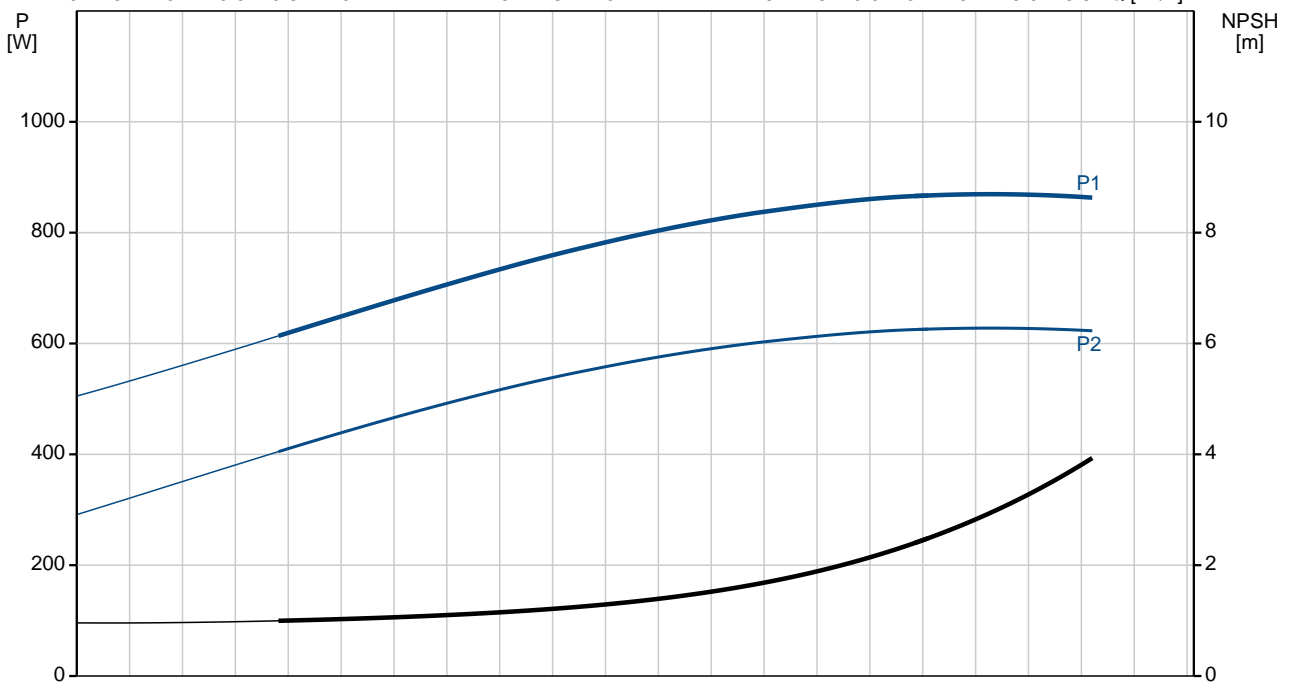
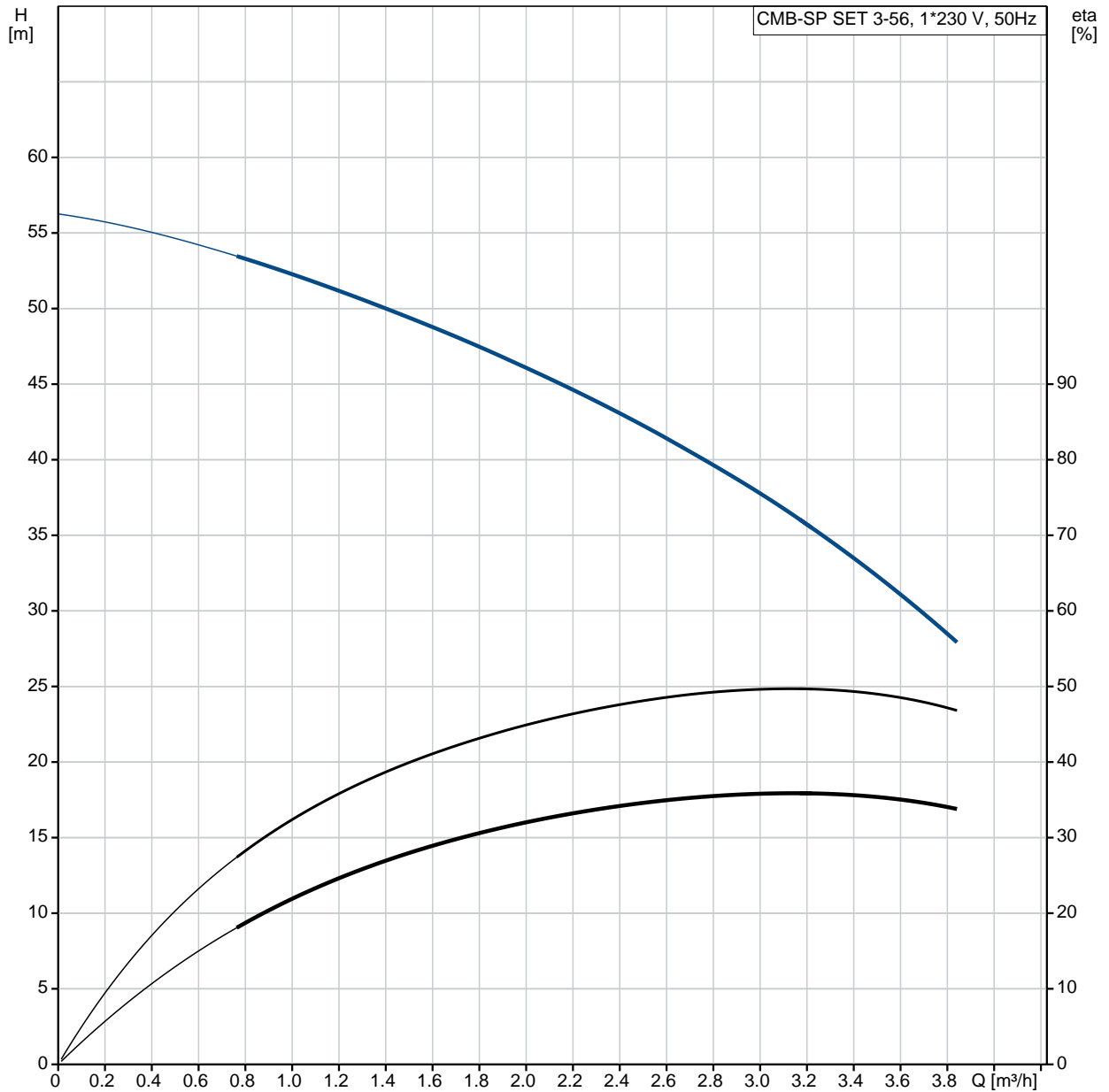
tel. +31 152 610 900

fax. +31 152 616 289

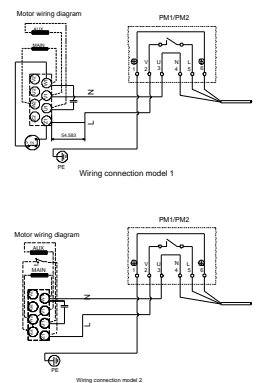
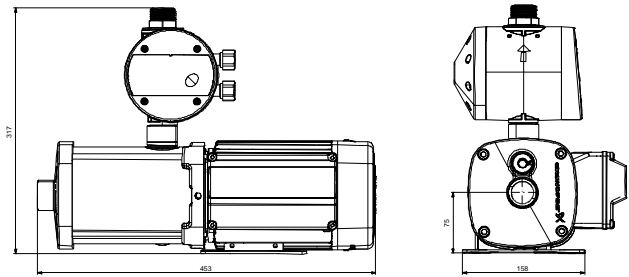
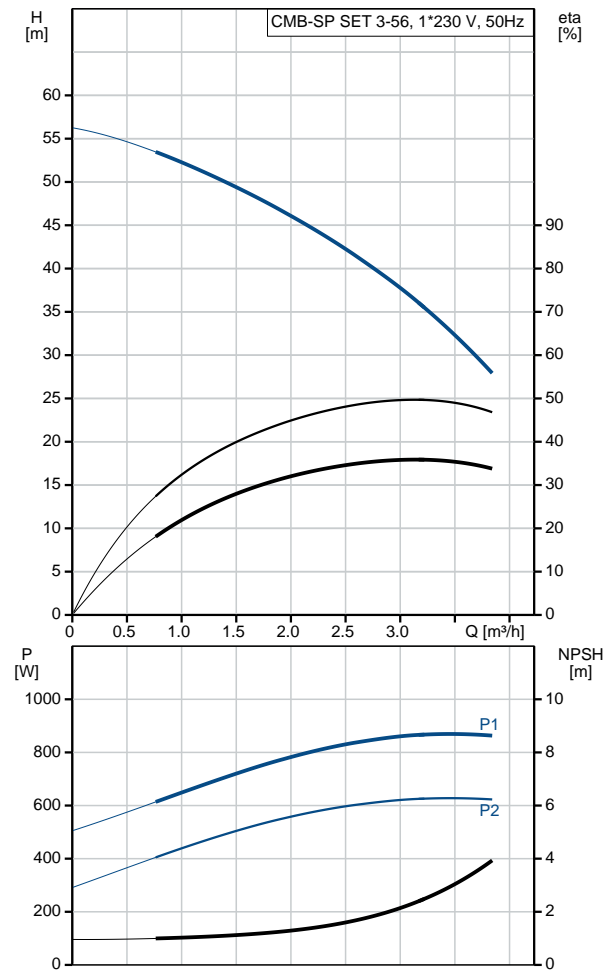
Position	Qty.	Description
	1	<p data-bbox="320 163 678 194">CMB-SP SET 3-56 I-C-A-C-B-A</p>  <p data-bbox="320 488 603 519">Product No.: On request</p> <p data-bbox="320 546 1278 752">The Grundfos CM Booster self-priming pump with PM2 pressure manager is a compact booster solution for water supply in domestic applications. The pressure booster unit consists of a Grundfos CM self-priming pump and a Grundfos PM2 pressure manager. The pressure manager allows the pump to start and stop automatically according to demand and protects the pump from dry running.</p> <p data-bbox="320 757 1161 869">The CM Booster self-priming pump can create a suction lift of up to 8 m, and it is very easy to install. When the booster has been connected to the pipework, just plug it into a socket, and the system is operational.</p> <p data-bbox="320 931 427 963">Features</p> <ul data-bbox="320 967 746 1169" style="list-style-type: none"> • compact • easy installation • self-priming up to 8 m • automatic resetting of alarms • dry-running protection • anti-cycling (leakage detection) • maximum continuous operating time. <p data-bbox="320 1232 459 1263">Applications</p> <p data-bbox="320 1267 1299 1317">The Grundfos CM Booster self-priming pump with PM2 pressure manager is mainly used for domestic and light commercial water supply or booster systems.</p> <p data-bbox="320 1406 411 1438">Liquid:</p> <p data-bbox="320 1442 820 1554">Pumped liquid: Water Liquid temperature range: 0 .. 60 °C Liquid temperature during operation: 20 °C Density: 998.2 kg/m³</p> <p data-bbox="320 1585 448 1617">Technical:</p> <p data-bbox="320 1621 884 1823">Rated flow: 3 m³/h Rated head: 42.1 m Primary shaft seal: AVBE Approvals and markings: CE,EAC Curve tolerance: ISO9906:2012 3B Self-priming: 8 m Start pressure: PM1 - 2.2 bar</p> <p data-bbox="320 1854 443 1886">Materials:</p> <p data-bbox="320 1890 890 2092">Pump housing: Stainless steel DIN W.-Nr. 1.4301 AISI 304 Impeller: Stainless steel DIN W.-Nr. 1.4301 AISI 304 Rubber: EPDM</p>

Position	Qty.	Description
		<p>Installation: Maximum ambient temperature: 55 °C Flange standard: WHITWORTH THREAD RP</p> <p>Electrical data: Rated power - P2: 0.67 kW Mains frequency: 50 Hz Rated voltage: 1 x 220-240 V Maximum current consumption: 4.4-4.0 A Rated speed: 2720-2800 rpm Enclosure class (IEC 34-5): IP55 Insulation class (IEC 85): F Type of cable plug: SCHUKO Mains cable: 1.5 m</p> <p>Others: Net weight: 16.9 kg Gross weight: 25 kg</p>

On request CMB-SP SET 3-56 I-C-A-C-B-A 50 Hz

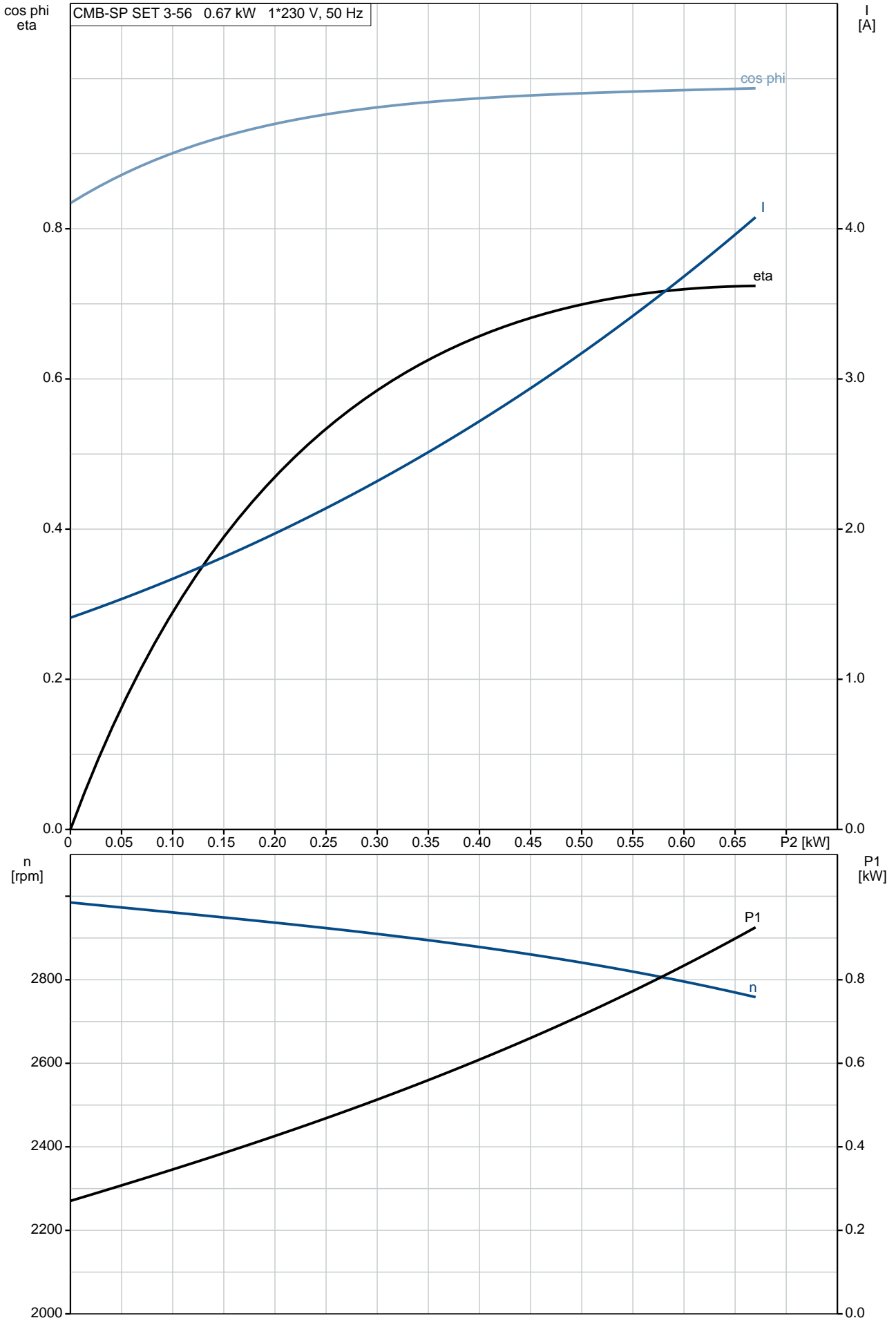


Description	Value
General information:	
Product name:	CMB-SP SET 3-56 I-C-A-C-B-A
Product No:	On request
EAN number:	On request
Technical:	
Rated flow:	3 m ³ /h
Rated head:	42.1 m
Impellers:	6
Primary shaft seal:	AVBE
Approvals and markings:	CE, EAC
Curve tolerance:	ISO9906:2012 3B
Model:	A
Self-priming:	8 m
Start pressure:	PM1 - 2.2 bar
Materials:	
Pump housing:	Stainless steel DIN W.-Nr. 1.4301 AISI 304
Impeller:	Stainless steel DIN W.-Nr. 1.4301 AISI 304
Rubber:	EPDM
Installation:	
Maximum ambient temperature:	55 °C
Flange standard:	WHITWORTH THREAD RP
Liquid:	
Pumped liquid:	Water
Liquid temperature range:	0 .. 60 °C
Liquid temperature during operation:	20 °C
Density:	998.2 kg/m ³
Electrical data:	
Rated power - P2:	0.67 kW
Mains frequency:	50 Hz
Rated voltage:	1 x 220-240 V
Maximum current consumption:	4.4-4.0 A
p max system:	10 bar
Rated speed:	2720-2800 rpm
Enclosure class (IEC 34-5):	IP55
Insulation class (IEC 85):	F
Motor protec:	TP 211
Type of cable plug:	SCHUKO
Mains cable:	1.5 m
Others:	
Net weight:	16.9 kg
Gross weight:	25 kg

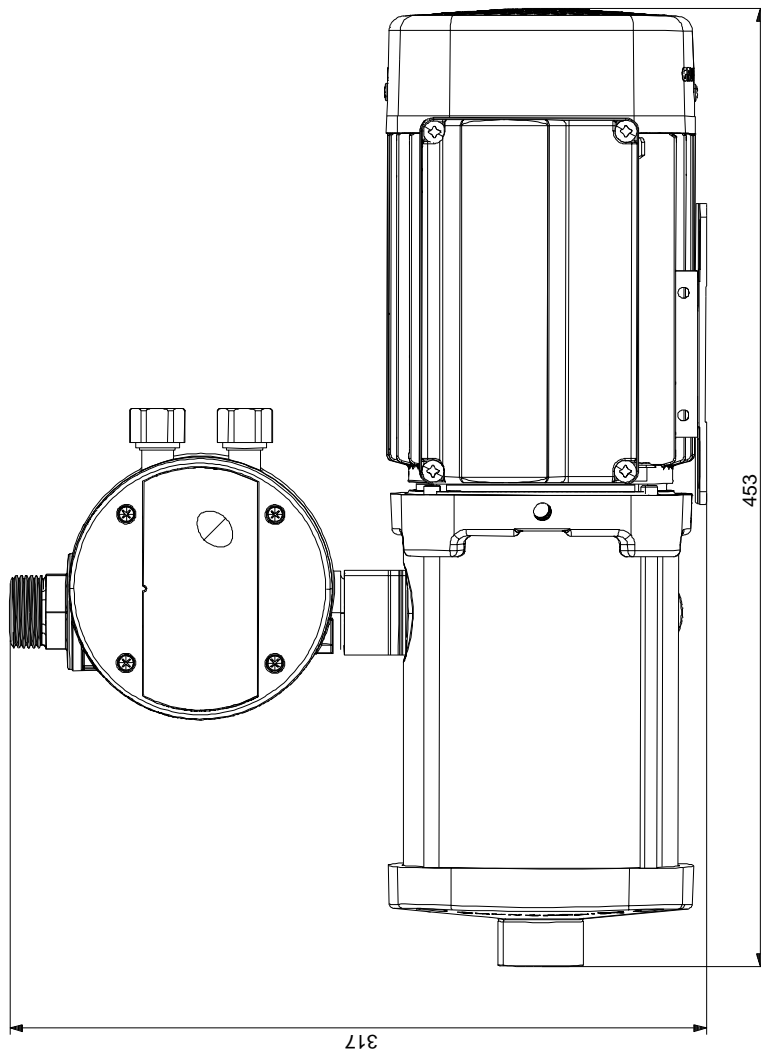
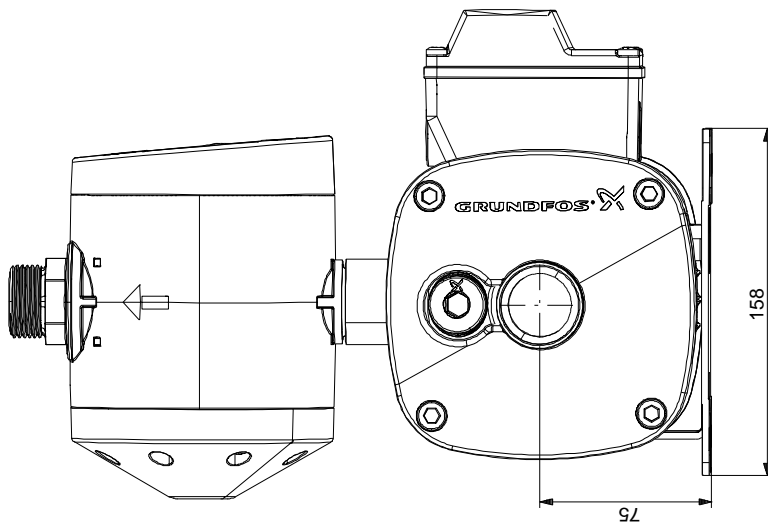


- Australian plug: IEC type I, AS/NZS3112, 1.5 m
- Schuko plug: IEC Type E&F, CEE7/7, 1.5 m
- US plug: IEC type B, NEMA 5-15P, 1.5 m
- NO PLUG, 1.5 m

On request CMB-SP SET 3-56 I-C-A-C-B-A 50 Hz

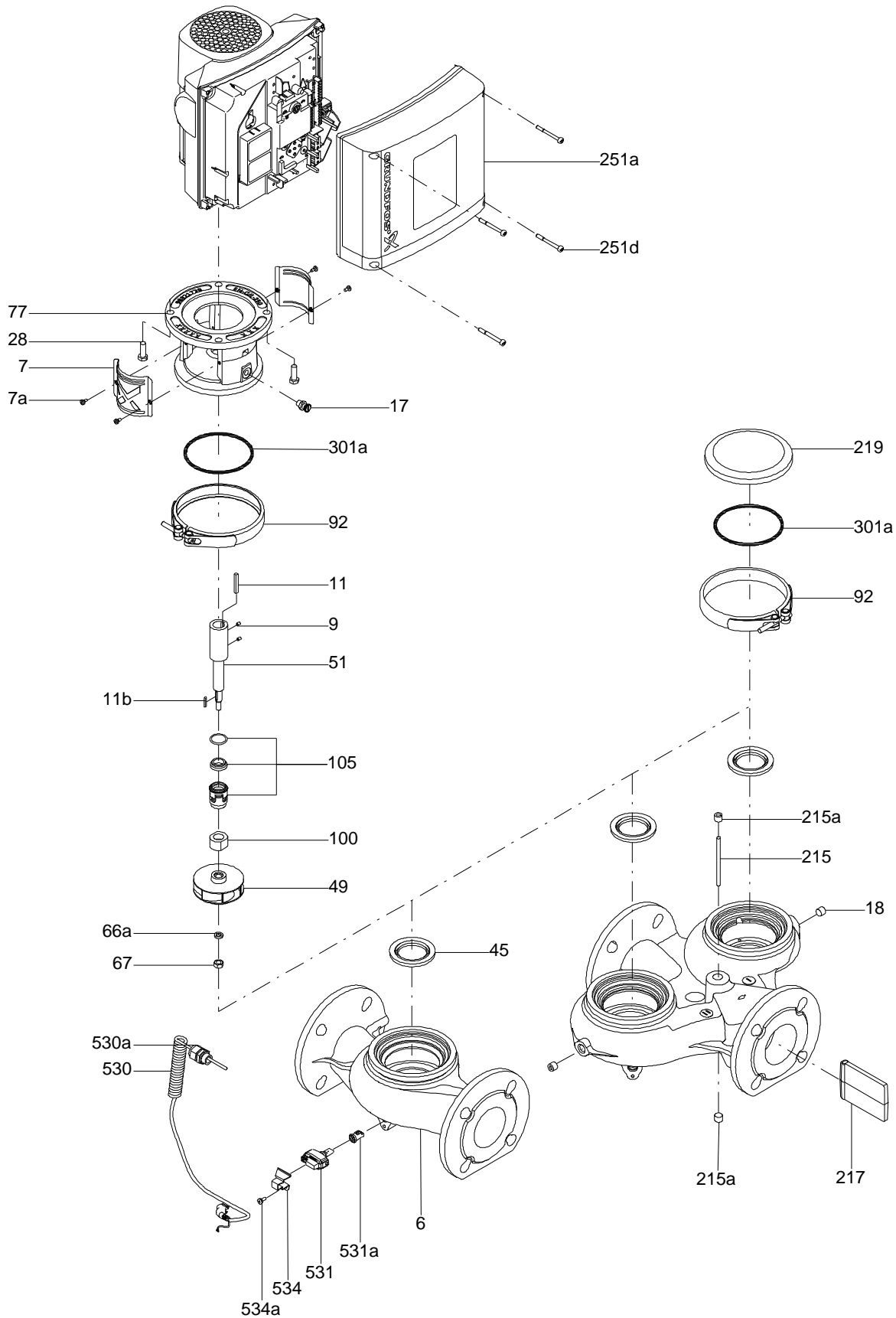


On request CMB-SP SET 3-56 I-C-A-C-B-A 50 Hz

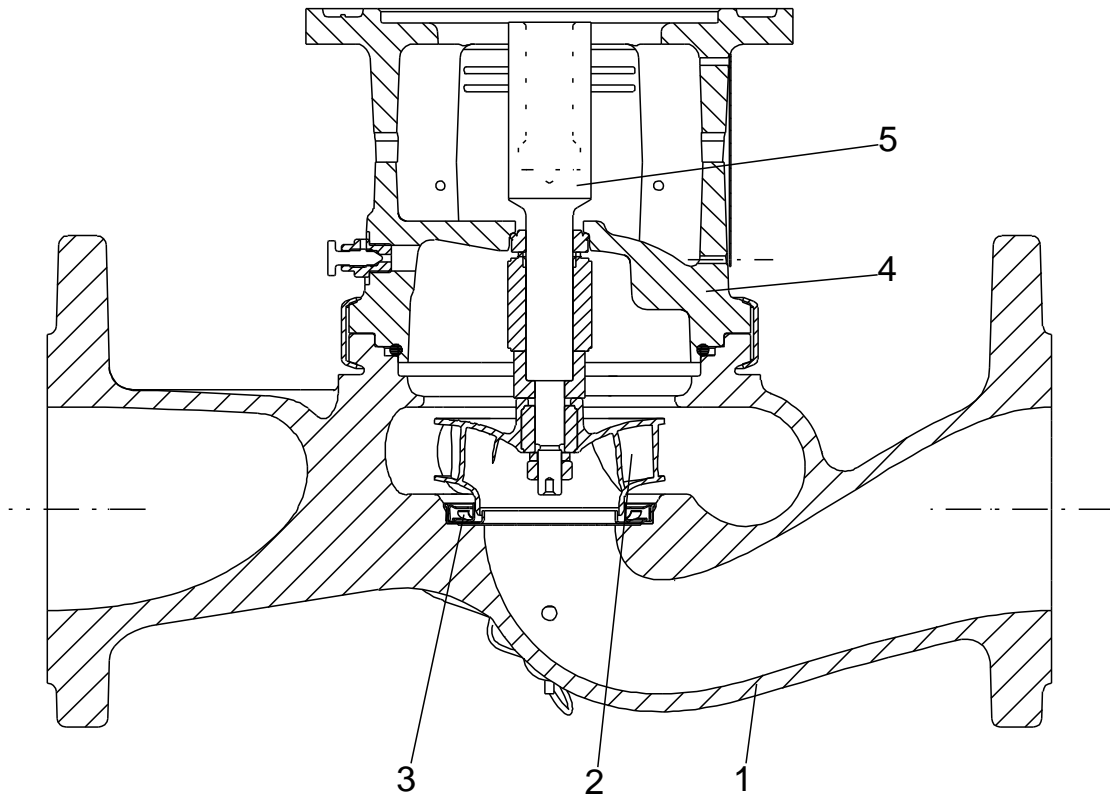


Note! All units are in [mm] unless others are stated.
Disclaimer: This simplified dimensional drawing does not show all details.

Exploded view

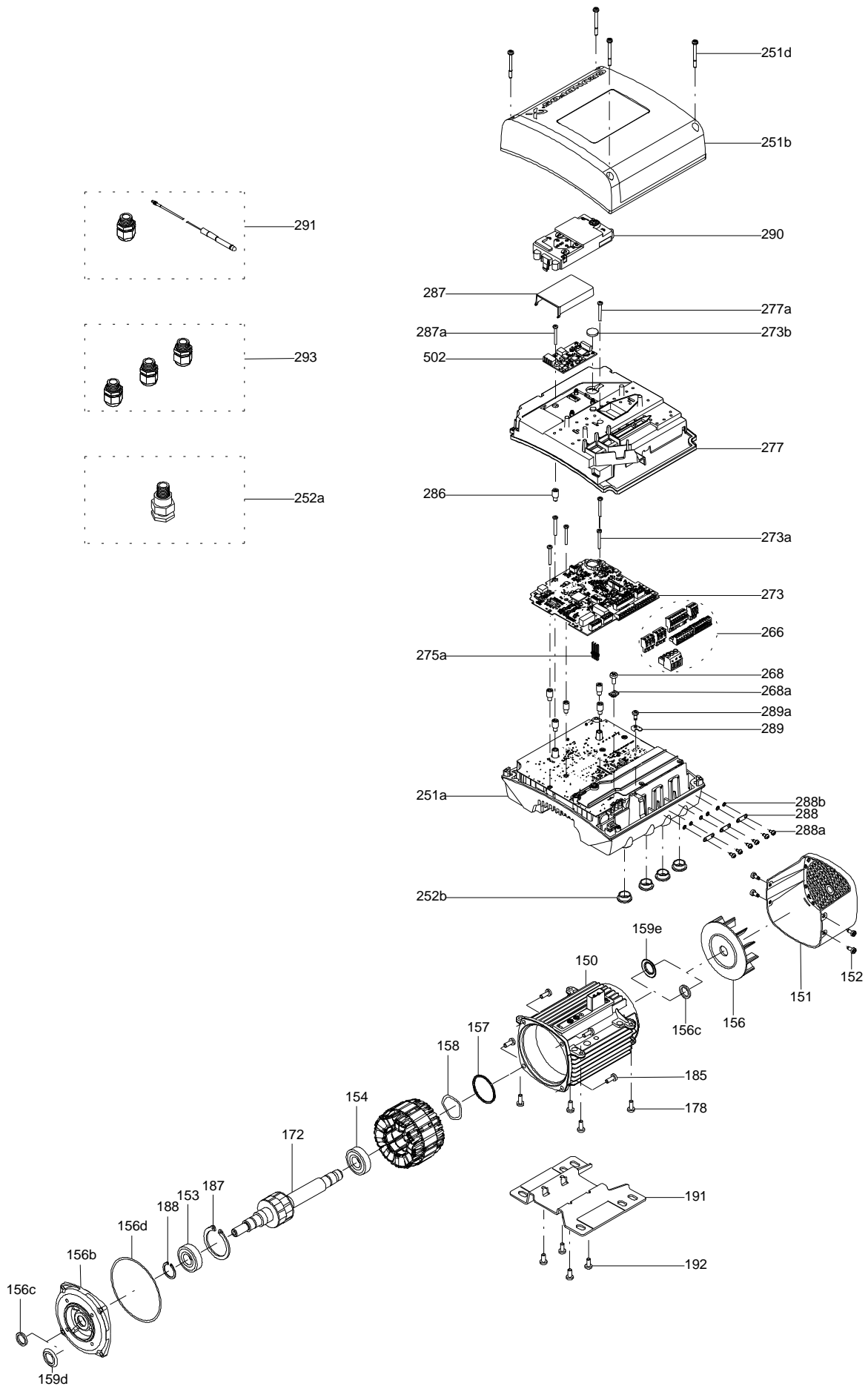


Sectional drawing (TM058200 for TPE2,TPE3)



TM058200

Exploded view (TM057026 for MGE model H/I)



Parts list CMB-SP SET 3-56, Product No. On request
Valid from 3.11.2010 (1044)

Pos	Description	Annotation	Données de classification	Référence	Quantité	Unité
	Pump				1	pcs
	Cable tie				1	pcs
37b	O-ring				1	pcs
72	Nameplate				1	pcs
168	Cable gland				1	pcs
181	Cable w/plug				1	pcs
181a	Motor cable				1	pcs

Disclaimer: The information about the Grundfos pump in this document may be outdated.

Data may be subject to alterations without further notice.

Please contact us to verify the data above is still accurate/up-to-date.

All information is copyright Grundfos.



info@lenntech.com

<https://www.lenntech.com>

tel. +31 152 610 900

fax. +31 152 616 289